

Emergency LED Lighting Fixture ELF-2514 Series

**Seismically Qualified
Nuclear containment-grade materials**

❖ General Information

- The NAMBUK Emergency Lighting Fixture Model ELF-2514 is a seismically-designed nuclear class 1E emergency lighting fixture as per IEEE standard 344-1987 for nuclear power plant.
- ELF series model has integral sealed rechargeable battery and solid-state charging circuit that provide a minimum 8 hours emergency illumination.

❖ Features

- Seismically qualified.
- Provides 8 hours of emergency illumination.
- Easy maintenance.
- Simple push-button test switch verifies proper operation of all major internal circuitry.
- Suitable for use inside primary nuclear containment.
- Adaptable to nearly any situation.
- Detects abnormal signals with four indicator lamps.
- Fuse may be replaced in 30 seconds.
- The battery can be used for a long time by applying over-discharge protection and over-charge protection circuits.



❖ Model No. & Data

Model No.	Rated Voltage (V)	Rated Wattage (W)	Lamp	Discharge Operation Time	Weight (kg)
ELF-2514	Max. 240VAC	2 × 12W	Power LED 9EA x 2 (1W, 5700K, 1300cd)	More than 10hr	19

❖ Compliance

- UL 924 "Emergency Lighting Equipment" Test
- NFPA 70, "National Electric Code".
- IEEE standard 344-1987 for nuclear power plant.

❖ Certification

- Certified by KOFEIC(Korea Fire Equipment Inspection Corporation).

Lighting Fixtures

❖ Standard Materials

- Body : 304 Stainless sheet steel. (SUS 304)
- Bracket : 304 Stainless sheet steel. (SUS 304)
- Lamp head : Aluminum alloy.

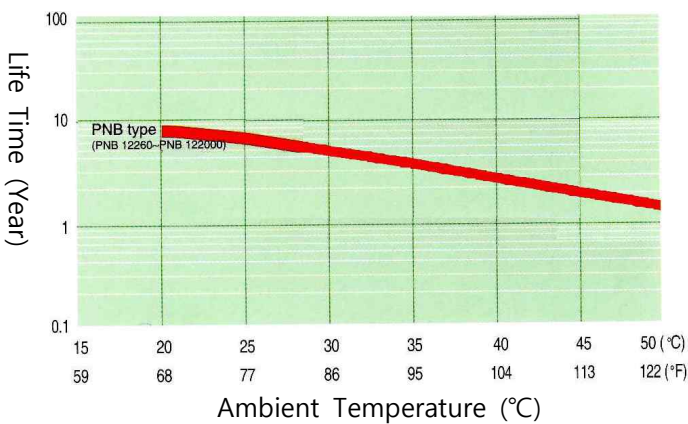
❖ Standard Finish

- Natural
- If you want another color, contact us please.

⚠ Warning

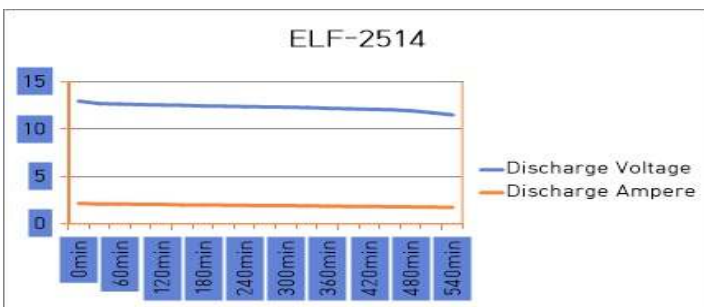
Not dismantle or alter battery at end-user's disposal to prevent electric shock, short circuit or damage.

❖ Battery Life Time (Year) Curve Graph

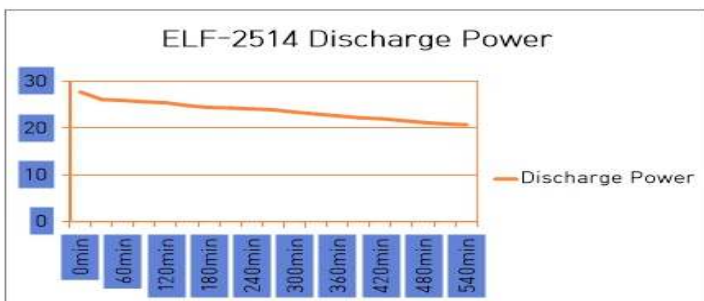


This is battery life time when use of floating.

❖ Discharge Curve Chart

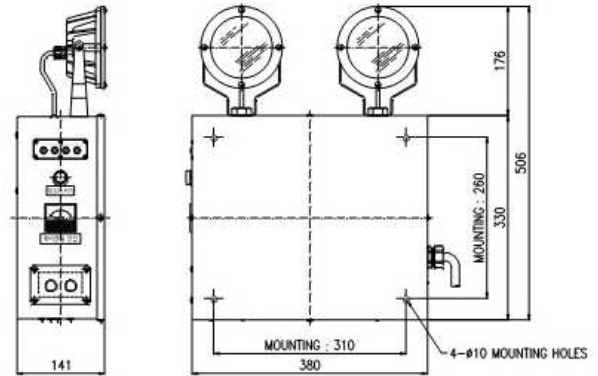


<Discharge Voltage, Ampere Curve>



<Discharge Power Curve>

❖ Dimension



❖ Lamp/Battery Data

- Power LED (12W x 2EA) 1300cd.
- Fully Adjustable Heads Standard.
- Sealed Lead Calcium Battery.
- Maintenance-free, Long-life.
- Charging power is less than 20W.
- Discharge current is 2A.
- Full Recharge Time : 48 hrs (min.)
- 12V 34Ah Battery Sufficient discharge time can be maintained by using. More than 10hr.

❖ Photometric Data

