

Explosion – Proof Type LED Obstruction Lighting Fixtures

❖ Application

EWOL Series LED Obstruction lighting fixtures are used;

- In petroleum refineries, chemical, petrochemical and other heavy process industry facilities, factory chimney
- Where an explosive atmosphere consisting of a mixture with air of flammable substances in the form of gas, vapour or mist is not likely to occur in normal operation but if it does occur, will persist for a short period only.

❖ Certification

- Ex db IIC T6 Gb IP66
- Ex d IIC T6 IP66
- Ex tD A21 T80°C IP66

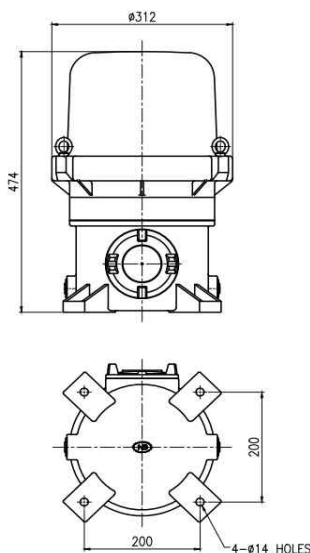
❖ Standard Materials

- Housing : Cast aluminium alloy with chromating and powder Coating
- Globe : Heat resistant hard glass or flat glass
- Mounting Box : Cast aluminium alloy with chromating and powder coating

❖ Standard Finish

- EWOL is Munsell 7.5BG 6/1.5 Color or Red color
- if you want another color, contact us please.

❖ Dimension



< EWOL-LEC >



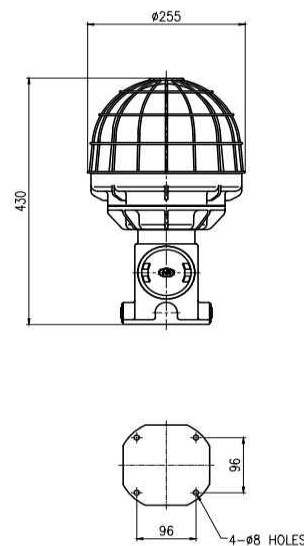
< EWOL-LEC >



< EWOL-L-LE >

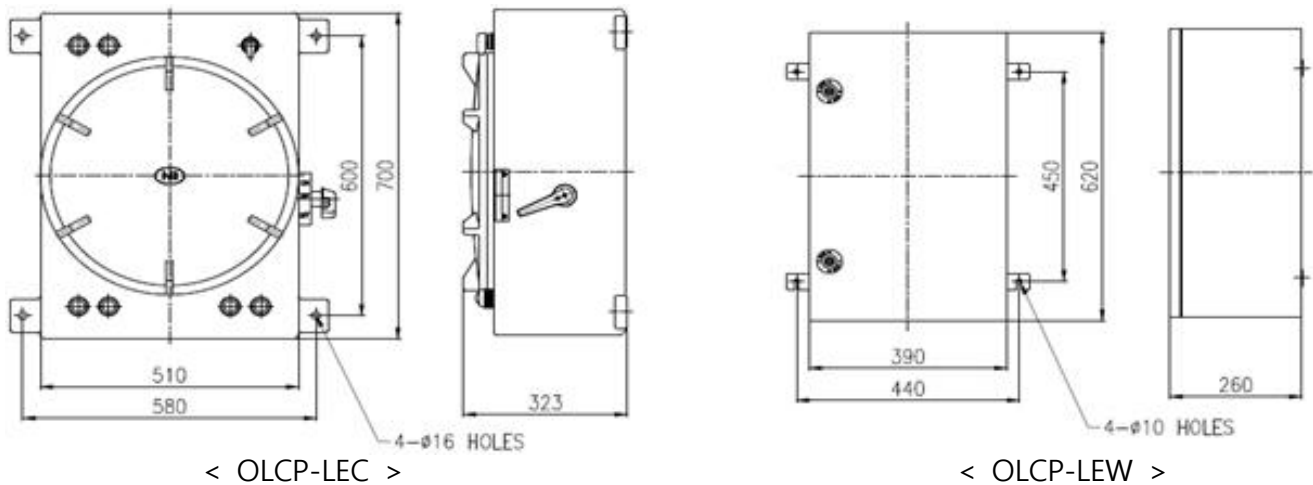
❖ Features

- ICAO satisfaction
- Medium Intensity-A, Low Intensity-B
- Easy installation and maintenance.
- power supply 220~240V AC in to the panel (Can order made other voltage)
- Long life time. (30,000hr)



< EWOL-L-LE >

Control Panel



❖ Technical Data

Catalog No Data Item	EWOL - LEC	EWOL - L - LE	Remark
Description	Medium Intensity (A Type)	Low Intensity	
Control Panel Rated Voltage	220 - 240V AC	220 - 240V AC	
Lighting Fixture Rated Voltage	220 - 240V AC	220 - 240V AC (0.05A)	
Power Consumption	95W / 8W (for one fixture)	12W	
Day & Twilight	20,000 cd	-	
Night Light	2,000 cd	32 cd	
CRI	80	-	
Led Lamp Color	White	Red	
Correlated Color Temperature (CCT)	5000~6000 K	620nm	
Synchronize	20~60 F.P.M	Fixed	
Life Time	30,000 hrs		
Explosion Proof Grade	Ex d IIC Ex db IIC	Ex d IIC Ex db IIC	
Ingress Protection	IP 66		
Ambient Temperature	-20°C ~ 55°C		
Explosion - Proof Certificate	IECEx (Scheme), ATEX, KCs		
Weight	27kg	8kg	