

## LED Lighting Fixtures

### ELE/D Series with High Efficiency LED (External SMPS) 100-150

#### ❖ Application

- The explosion protected lighting fixtures for LED light is in according to the IEC60079-0, 1, 31.
- Hazardous locations due to the presence of flammable gases or vapors, water and moisture.
- Petroleum refineries, chemical and petrochemical plant with indoor and outdoor processes.

#### ❖ Features

- Luminous efficiency : 150 lm/w
- External SMPS type
- Color temperature : 5700 K  $\pm$  355
- Color Rendering index : 80 over
- Beam angle : 120°
- Ambient temperature : -20°C to 55°C
- Weight : kg

#### ❖ Certification

- IEC 60079-0, 1, 31
- IECEx KTL 17.0003
- Ex db IIC T6/T5 IP66
- Ex tb IIIC T85°C/T90°C Db IP66

#### ❖ Standard Materials

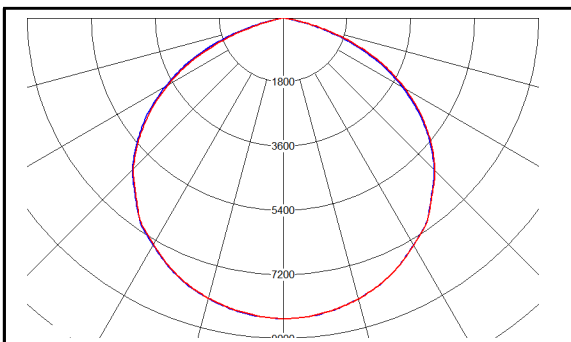
- Enclosure: Aluminium Die-casting
- Globe: Tempered glass

#### ❖ Standard Finish

- MUNSSELL No. 7.5BG 6/1.5
- If you want another color, contact us please
- Chromating

#### ❖ Photometric Data

< 150W >



#### ❖ Technical Data

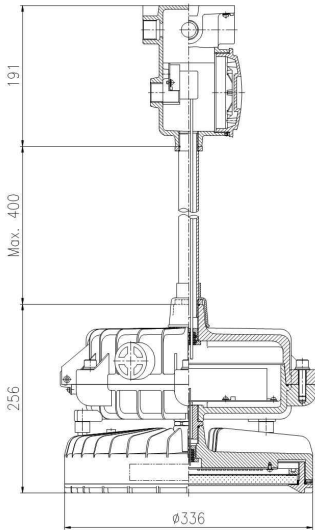
|               |                     |         |         |
|---------------|---------------------|---------|---------|
| Rated voltage | Max. 240V, 50~60 Hz |         |         |
| Rated power   | 100W                | 120W    | 150W    |
| Rated ampere  | 0.5A                | 0.6A    | 0.75A   |
| Luminous flux | 14500lm             | 17500lm | 22000lm |

#### ❖ Cable Entry

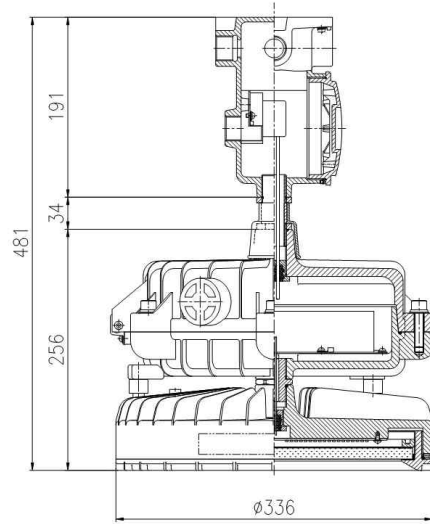
| Entry Standard      | Metric       | M20  | M25  | M32 | Mounting Type             |
|---------------------|--------------|------|------|-----|---------------------------|
|                     | NPT          | 1/2" | 3/4" | 1"  |                           |
| Entry Location/Q'ty | Mounting Box | 4    | 4    | 4   | Ceiling, Bracket, Pendant |
|                     | Junction Box | 2    | 2    | 2   | Hand Rail, Stanchion      |

## ❖ Dimension

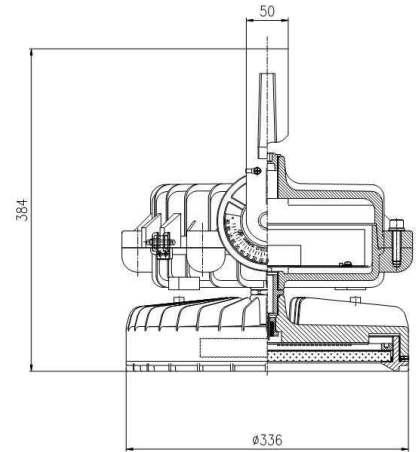
### Mounting Type



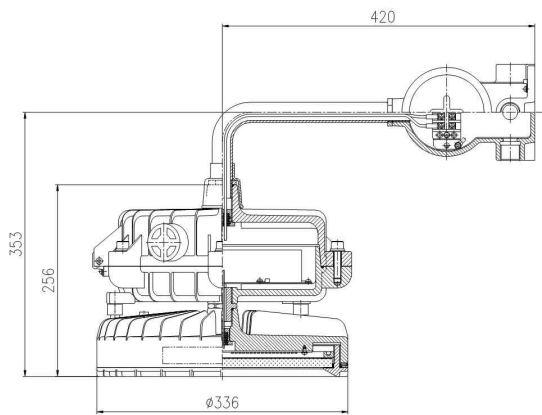
< Pendant >



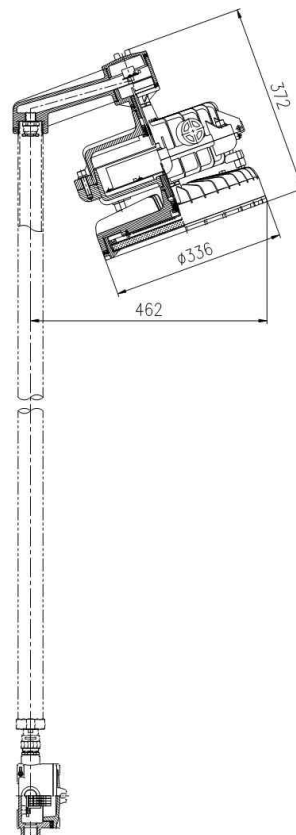
< Ceiling >



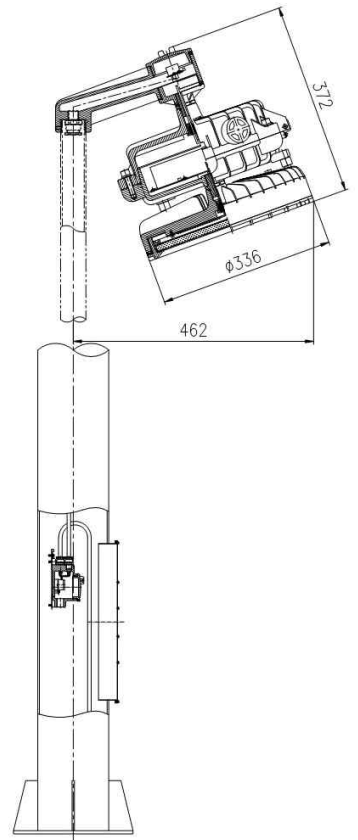
< Flood >



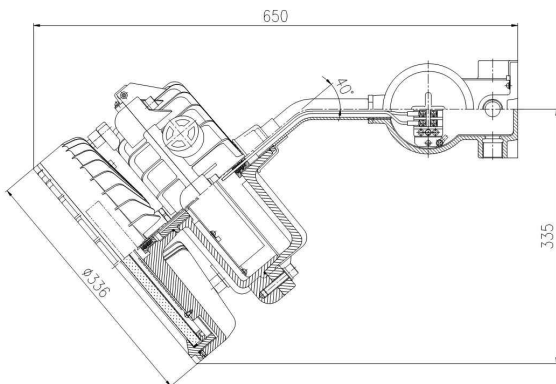
< 90° Bracket >



< Hand Rail >



< Stanchion >



< 40° Bracket >