

LED Lighting Fixtures ELE/B Series with High Efficiency LED (External SMPS)

❖ Application

- The explosion protected lighting fixtures for LED light is in according to the IEC60079-0, 1, 31.
- Hazardous locations due to the presence of flammable gases or vapors, water and moisture.
- Petroleum refineries, chemical and petrochemical plant with indoor and outdoor processes.

❖ Features

- Luminous efficiency : 150 lm/w
- External SMPS type
- Color temperature : 5700 K ± 355
- Color Rendering index : 80 over
- Beam angle : 120°
- Ambient temperature -20°C to 55°C

❖ Certification

- Ex db IIC T6 IP66
- Ex tb IIIC T85°C Db IP66
- IECEx KTL 17.0003
- INERIS 19 ATEX 0004

❖ Standard Materials

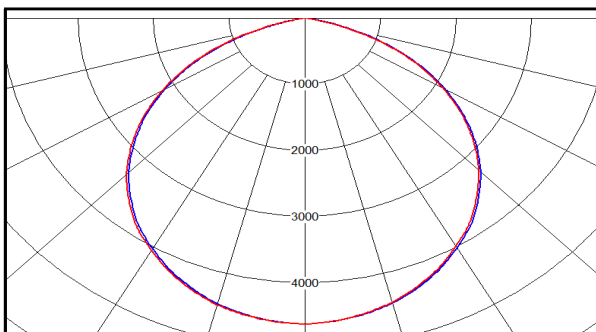
- Enclosure: Aluminium Die-casting
- Globe: Tempered glass

❖ Standard Finish

- MUNSELL No. 7.5BG 6/1.5
- If you want another color, contact us please
- Chromating

❖ Photometric Data

< 80W >



❖ Technical Data

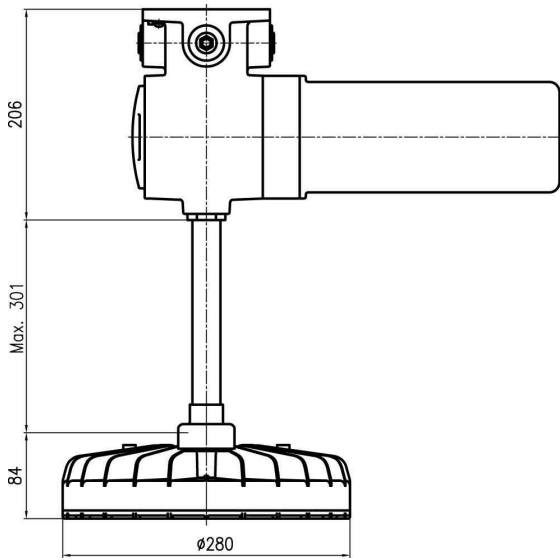
Rated voltage	Max. 240V, 50~60 Hz			
Rated power	30W	45W	60W	80W
Rated ampere	0.15A	0.23A	0.3A	0.4A
Luminous flux	4500lm	6750lm	9000lm	12000lm

❖ Cable Entry

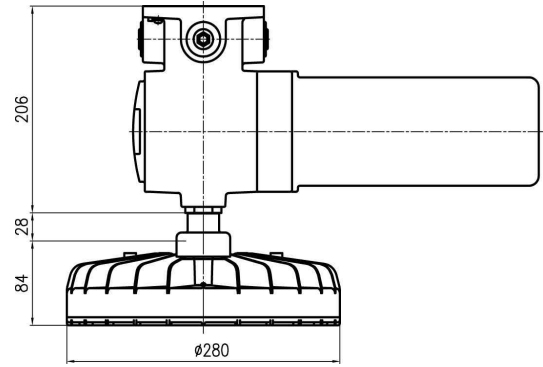
Entry Standard	Metric	M20	M25	M32	Mounting Type
	NPT	1/2"	3/4"	1"	
Entry Location/Q'ty	Mounting Box	4	4	4	Ceiling, Bracket, Pendant
	Junction Box	2	2	2	Hand Rail, Stanchion

❖ Dimension

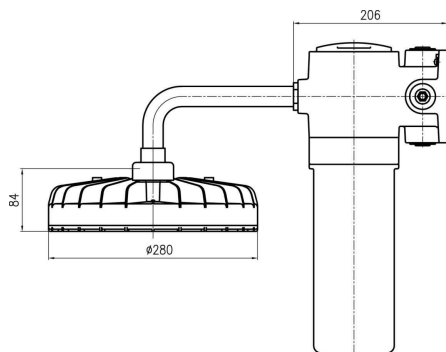
Mounting Type



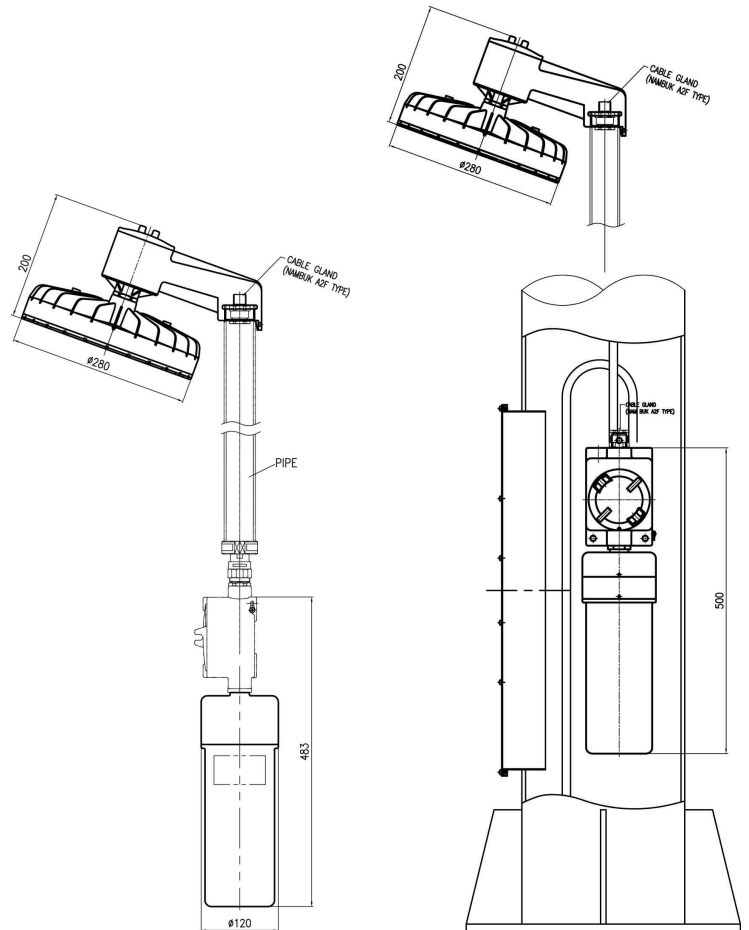
< Pendant >



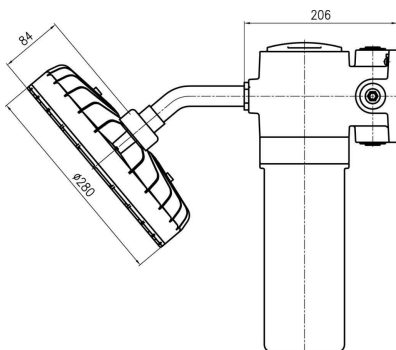
< Ceiling >



< 90° Bracket >



< Hand Rail >



< 40° Bracket >

< Stanchion >

LED Lighting Fixtures

ELE/B Series with High Efficiency LED (External SMPS) - 100W-150W

❖ Application

- The explosion protected lighting fixtures for LED light is in according to the IEC60079-0, 1, 31.
- Hazardous locations due to the presence of flammable gases or vapors, water and moisture.
- Petroleum refineries, chemical and petrochemical plant with indoor and outdoor processes.

❖ Features

- Luminous efficiency : 150 lm/w
- External SMPS type
- Color temperature : 5700 K \pm 355
- Color Rendering index : 80 over
- Beam angle : 120°
- Ambient temperature -20°C to 55°C
- Weight : 20kg

❖ Certification

- Ex db IIC T6/T5 Gb IP66
- Ex tb IIIC T85°C/T95°C Db IP66
- IECEx KTL 18.0023
- INERIS 19 ATEX 0004X

❖ Standard Materials

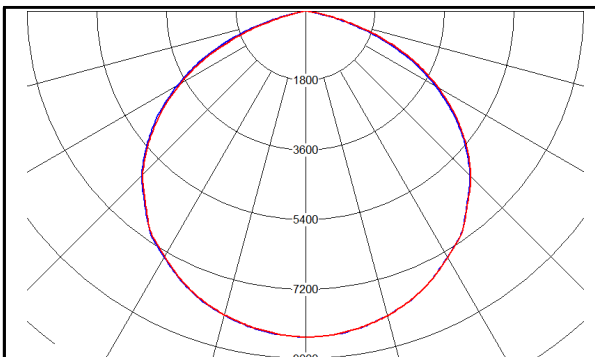
- Enclosure: Aluminium Die-casting
- Globe: Tempered glass

❖ Standard Finish

- MUNSELL No. 7.5BG 6/1.5
- If you want another color, contact us please
- Chromating

❖ Photometric Data

< 150W >



❖ Technical Data

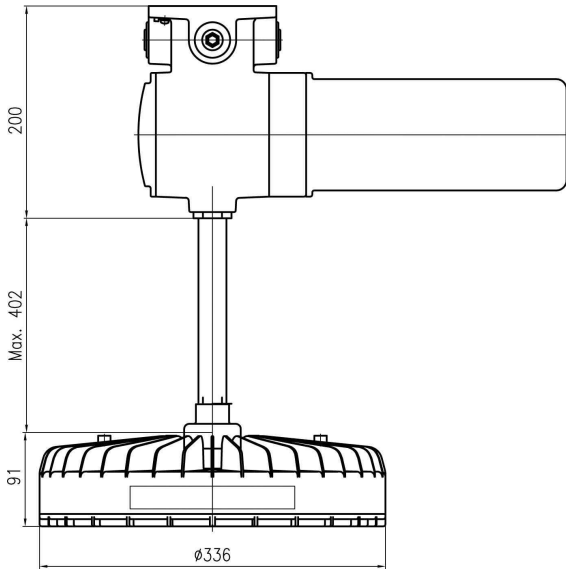
Rated voltage	Max. 240V, 50~60 Hz		
Rated power	100W	120W	150W
Rated ampere	0.5A	0.6A	0.75A
Luminous flux	14500lm	17500lm	22000lm

❖ Cable Entry

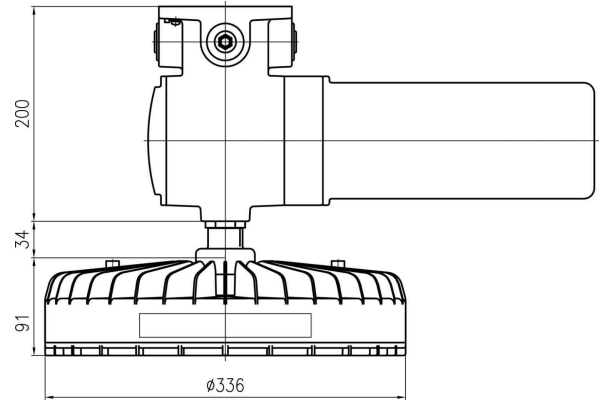
Entry Standard	Metric	M20	M25	M32	Mounting Type
	NPT	1/2"	3/4"	1"	
Entry Location/Q'ty	Mounting Box	4	4	4	Ceiling, Bracket, Pendant
	Junction Box	2	2	2	Hand Rail, Stanchion

❖ Dimension

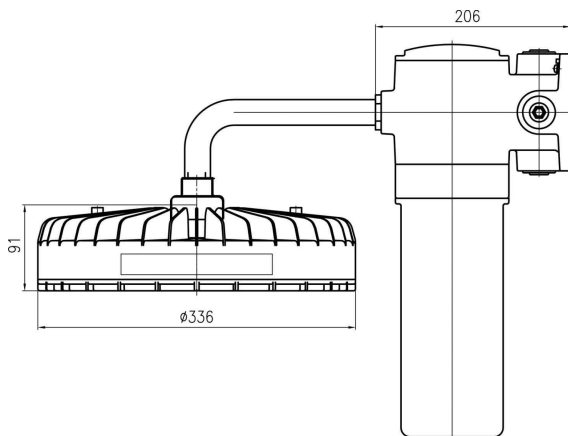
Mounting Type



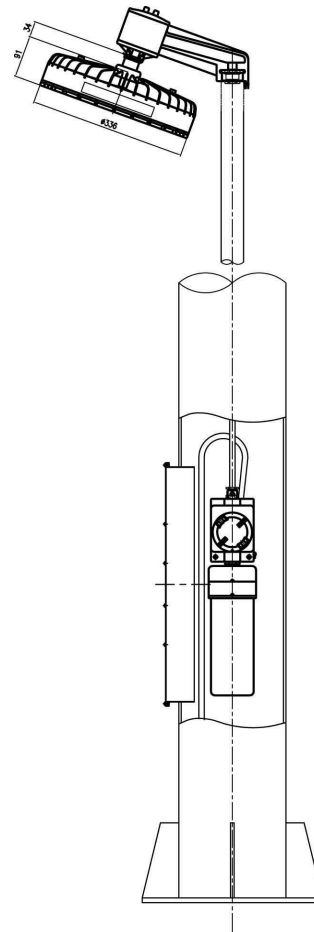
< Pendant >



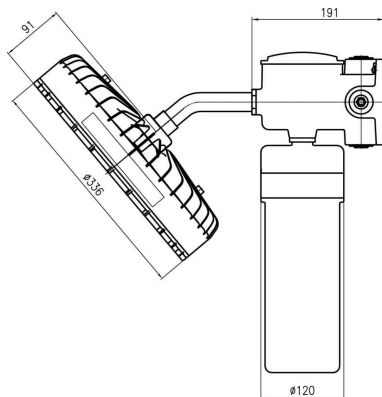
< Ceiling >



< 90° Bracket >



< Stanchion >



< 40° Bracket >