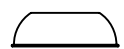
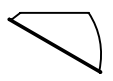
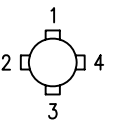


TYPE
" "

REV.NO.	DATE	DESCRIPTION	REV'D BY	CHE'D BY	APP'D BY
△					
△					
△					

SELECTION TABLE

ITEM NO.	LAMP	LAMP SIZE	Q'TY	SUPPLY VOLTAGE	FREQUENCY				
					<input type="checkbox"/> AC110V	<input type="checkbox"/> AC230V	<input type="checkbox"/> AC240V	<input type="checkbox"/> 50Hz	
	<input type="checkbox"/> MERCURY VAPOR	<input type="checkbox"/> 150W	- SET	<input type="checkbox"/> AC120V	<input type="checkbox"/> AC277V	<input type="checkbox"/> AC220V	<input type="checkbox"/> 60Hz		
	<input type="checkbox"/> H. P. SODIUM	<input type="checkbox"/> 175W	- SET						
	<input type="checkbox"/> METAL HALIDE	<input type="checkbox"/> 200W	- SET						
		<input type="checkbox"/> 250W	- SET						
OPTION	EXTERNAL REFLECTOR	<input type="checkbox"/> INCLUDED <input checked="" type="checkbox"/> EXCLUDED		HUB SCHEDULE	LOCATION				
		<input type="checkbox"/> DOME TYPE	<input type="checkbox"/> 30° ANGLE		THREAD	<input type="checkbox"/> NPT	<input type="checkbox"/> PF	<input type="checkbox"/> MM	<input type="checkbox"/>
		<input type="checkbox"/> MATERIAL	F. R. POLYESTER		SIZE	<input type="checkbox"/> 3/4"	<input type="checkbox"/> 1"	<input type="checkbox"/> M25	<input type="checkbox"/>
						 <input type="checkbox"/> 1-2 <input type="checkbox"/> 1-3 <input type="checkbox"/> 1-2-3 <input type="checkbox"/> 1-2-3-4			
						<input type="checkbox"/> W/2-BLIND PLUGS <input type="checkbox"/> NONE			

NOTE

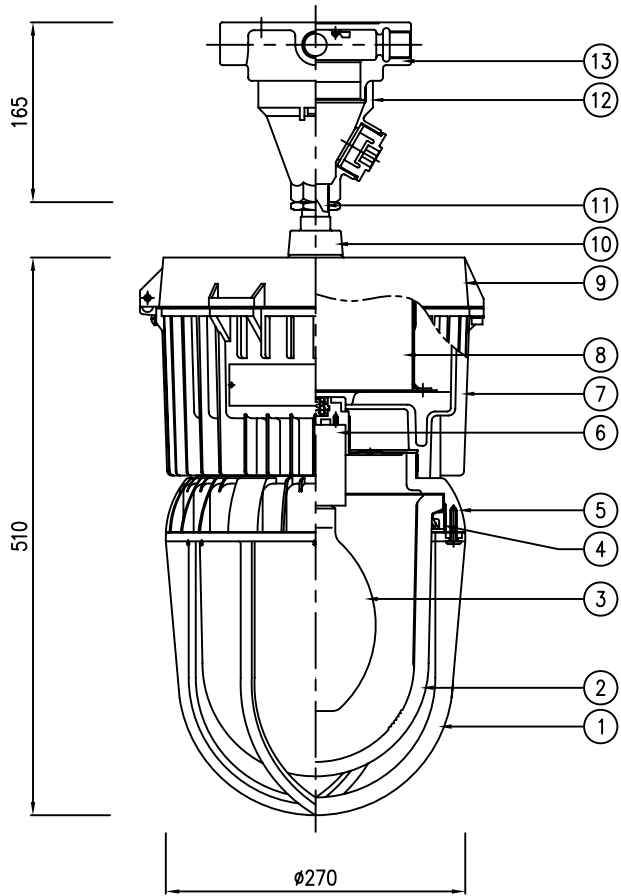
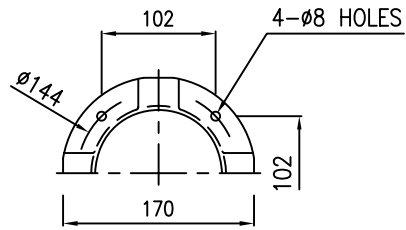
1.

NO	PARTS	MATERIAL	REMARK
9	COVER	CAST ALUMINIUM ALLOY	
8	BALLAST	FOR H.I.D LAMP	HIGH POWER FACTOR
7	BODY	DIE CASTING ALUMINIUM	
6	LAMP HOLDER	PORCELAIN W/MOGUL SOCKET	E39
5	GUARD RING	DIE CASTING ALUMINIUM	
4	LOCK RING	DIE CASTING ALUMINIUM	
3	LAMP	H.I.D LAMP	SEE SELECTION TABLE
2	GLOBE	HEAT RESISTANT HARD GLASS	
1	GUARD	DIE CASTING ALUMINIUM	

SCALE	N.S	APPROVED BY	
UNIT	mm	CHECKED BY	
DATE		DRAWN BY	

NB 南北電氣株式會社
NAMBUK ELECTRIC CO.,LTD

TITLE	H.I.D LTG. FIXTURE (CEILING MTG. TYPE)			APPLICATION AREA	
CAT NO.	EVS-L SERIES		CLASS OF PROTECTION	Ex de IIC T3 IP66	
COLOR FINISHING	MUNSELL NO. 7.5BG 6/1.5		DRAWING NO.	N B - E L H - D 1 - A 0 1	



TYPE
" "

REV.NO.	DATE	DESCRIPTION	REV'D BY	CHE'D BY	APP'D BY
△					
△					
△					

SELECTION TABLE

ITEM NO.	LAMP	LAMP SIZE	Q'TY	SUPPLY VOLTAGE	FREQUENCY			
					<input type="checkbox"/> AC110V	<input type="checkbox"/> AC230V	<input type="checkbox"/> AC240V	<input type="checkbox"/> 50Hz
	<input type="checkbox"/> MERCURY VAPOR	<input type="checkbox"/> 150W	- SET	<input type="checkbox"/> AC208V	<input type="checkbox"/> AC277V	<input type="checkbox"/> AC220V	<input type="checkbox"/> 60Hz	
	<input type="checkbox"/> H. P. SODIUM	<input type="checkbox"/> 175W	- SET					
	<input type="checkbox"/> METAL HALIDE	<input type="checkbox"/> 200W	- SET					
		<input type="checkbox"/> 250W	- SET					
OPTION		EXTERNAL REFLECTOR		HUB SCHEDULE		LOCATION		
		<input type="checkbox"/> INCLUDED	<input checked="" type="checkbox"/> EXCLUDED			<input type="checkbox"/> 1-2 <input type="checkbox"/> 1-3 <input type="checkbox"/> 1-2-3 <input type="checkbox"/> 1-2-3-4		
		<input type="checkbox"/> DOME TYPE <input type="checkbox"/> 30° ANGLE				<input type="checkbox"/> W/2-BLIND PLUGS <input type="checkbox"/> NONE		
		MATERIAL F. R. POLYESTER						

NOTE

1.

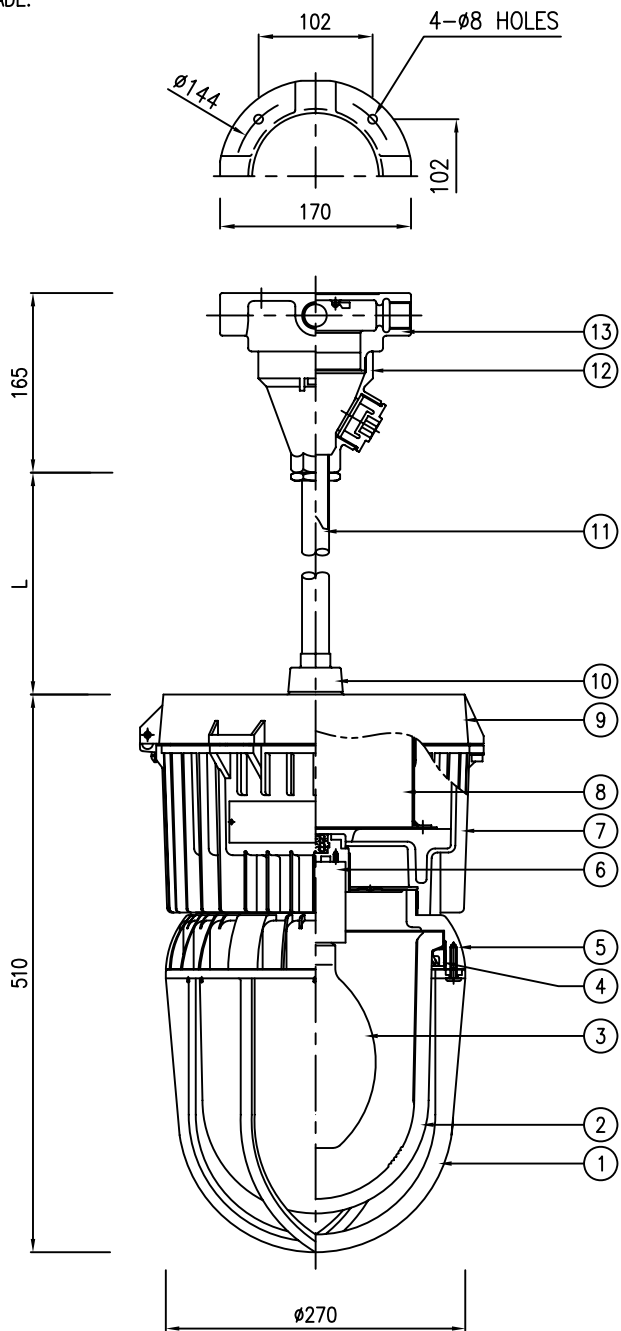
13	MOUNTING BOX	CAST ALUMINIUM ALLOY	
12	FLANGE	DIE CASTING ALUMINIUM	
11	NIPPLE	STEEL	
10	WEATHERPROOF CAP	SILICONE RUBBER	
9	COVER	CAST ALUMINIUM ALLOY	
8	BALLAST	FOR H.I.D LAMP	HIGH POWER FACTOR
7	BODY	DIE CASTING ALUMINIUM	
6	LAMP HOLDER	PORCELAIN W/MOGUL SOCKET	E39
5	GUARD RING	DIE CASTING ALUMINIUM	
4	LOCK RING	DIE CASTING ALUMINIUM	
3	LAMP	H.I.D LAMP	SEE SELECTION TABLE
2	GLOBE	HEAT RESISTANT HARD GLASS	
1	GUARD	DIE CASTING ALUMINIUM	
NO	PARTS	MATERIAL	REMARK

SCALE	N.S	APPROVED BY	
UNIT	mm	CHECKED BY	
DATE		DRAWN BY	

NB 南北電氣株式會社
NAMBUK ELECTRIC CO.,LTD

TITLE	H.I.D LTG. FIXTURE (CEILING MTG. TYPE)			APPLICATION AREA	
CAT NO.	EVS-L SERIES		CLASS OF PROTECTION	Ex de IIC T3 IP66	
COLOR FINISHING	MUNSELL NO. 7.5BG 6/1.5		DRAWING NO.	N B - E L H - D 1 - A 0 1	

* LENGTH(L) ORDER MADE.



TYPE
" "

REV.NO.	DATE	DESCRIPTION	REV'D BY	CHE'D BY	APP'D BY
△					
△					
△					

SELECTION TABLE

ITEM NO.	LAMP	LAMP SIZE	Q'TY	SUPPLY VOLTAGE	FREQUENCY				
					<input type="checkbox"/> AC110V	<input type="checkbox"/> AC230V	<input type="checkbox"/> AC240V	<input type="checkbox"/> 50Hz	
	<input type="checkbox"/> MERCURY VAPOR	<input type="checkbox"/> 150W	- SET	<input type="checkbox"/> AC208V	<input type="checkbox"/> AC277V	<input type="checkbox"/> AC220V	<input type="checkbox"/> 60Hz		
	<input type="checkbox"/> H. P. SODIUM	<input type="checkbox"/> 175W	- SET						
	<input type="checkbox"/> METAL HALIDE	<input type="checkbox"/> 200W	- SET						
		<input type="checkbox"/> 250W	- SET						
OPTION	EXTERNAL REFLECTOR	<input type="checkbox"/> INCLUDED <input checked="" type="checkbox"/> EXCLUDED		HUB SCHEDULE	THREAD	<input type="checkbox"/> NPT	<input type="checkbox"/> PF	<input type="checkbox"/> MM	<input type="checkbox"/>
		<input type="checkbox"/> DOME TYPE	<input type="checkbox"/> 30° ANGLE		SIZE	<input type="checkbox"/> 3/4"	<input type="checkbox"/> 1"	<input type="checkbox"/> M25	<input type="checkbox"/>
				LOCATION	 <input type="checkbox"/> 1-2 <input type="checkbox"/> 1-3 <input type="checkbox"/> 1-2-3 <input type="checkbox"/> 1-2-3-4				
		MATERIAL	F. R. POLYESTER		<input type="checkbox"/> W/2-BLIND PLUGS <input type="checkbox"/> NONE				

NOTE

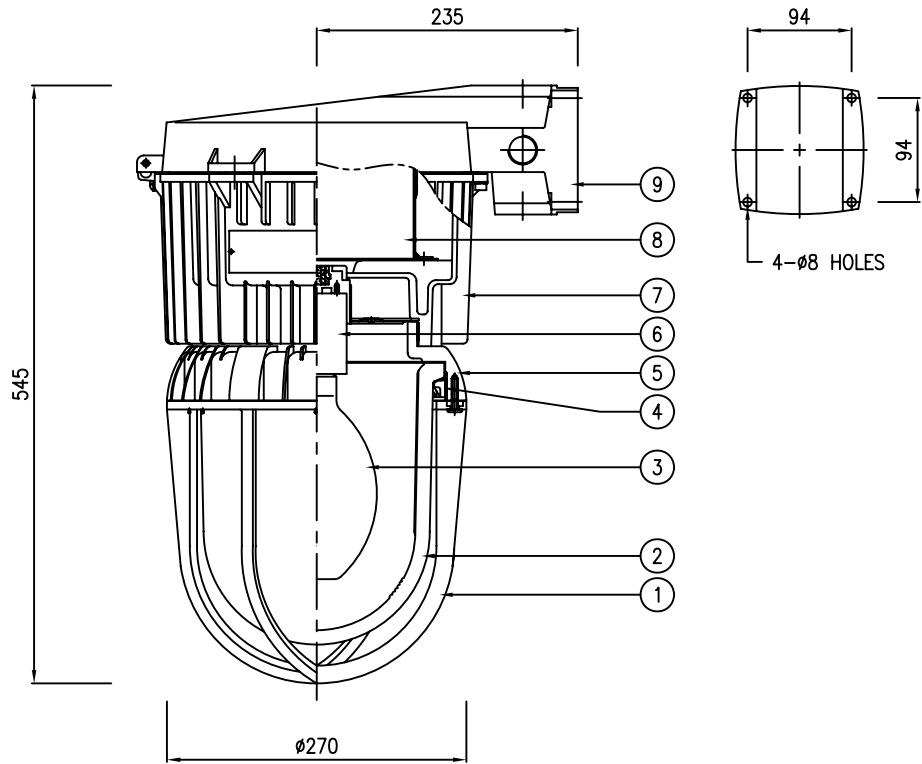
1.

NO	PARTS	MATERIAL	REMARK
13	MOUNTING BOX	CAST ALUMINIUM ALLOY	
12	FLANGE	DIE CASTING ALUMINIUM	
11	SUSPENSION STEM	HEAVY GAUGE STEEL PIPE	
10	WEATHERPROOF CAP	SILICONE RUBBER	
9	COVER	CAST ALUMINIUM ALLOY	
8	BALLAST	FOR H.I.D LAMP	HIGH POWER FACTOR
7	BODY	DIE CASTING ALUMINIUM	
6	LAMP HOLDER	PORCELAIN W/MOGUL SOCKET	E39
5	GUARD RING	DIE CASTING ALUMINIUM	
4	LOCK RING	DIE CASTING ALUMINIUM	
3	LAMP	H.I.D LAMP	SEE SELECTION TABLE
2	GLOBE	HEAT RESISTANT HARD GLASS	
1	GUARD	DIE CASTING ALUMINIUM	

SCALE	N.S	APPROVED BY	
UNIT	mm	CHECKED BY	
DATE		DRAWN BY	

NB 南北電氣株式會社
NAMBUK ELECTRIC CO.,LTD

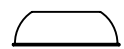
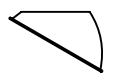
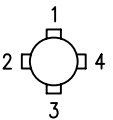
TITLE	H.I.D LTG. FIXTURE (PENDANT MTG. TYPE)		APPLICATION AREA	
CAT NO.	EVS-L SERIES		CLASS OF PROTECTION	Ex de IIC T3 IP66
COLOR FINISHING	MUNSELL NO. 7.5BG 6/1.5		DRAWING NO.	N B - E L H - D 1 - A 0 1



TYPE
" "

REV.NO.	DATE	DESCRIPTION	REV'D BY	CHE'D BY	APP'D BY
△					
△					
△					

SELECTION TABLE

ITEM NO.	LAMP	LAMP SIZE	Q'TY	SUPPLY VOLTAGE	FREQUENCY					
					<input type="checkbox"/> 50Hz	<input type="checkbox"/> 60Hz				
	<input type="checkbox"/> MERCURY VAPOR	<input type="checkbox"/> 150W	- SET	<input type="checkbox"/> AC110V	<input type="checkbox"/> AC230V					
	<input type="checkbox"/> H. P. SODIUM	<input type="checkbox"/> 175W	- SET	<input type="checkbox"/> AC120V	<input type="checkbox"/> AC240V					
	<input type="checkbox"/> METAL HALIDE	<input type="checkbox"/> 200W	- SET	<input type="checkbox"/> AC208V	<input type="checkbox"/> AC277V					
		<input type="checkbox"/> 250W	- SET	<input type="checkbox"/> AC220V	<input type="checkbox"/>					
				HUB SCHEDULE	THREAD	<input type="checkbox"/> NPT	<input type="checkbox"/> PF	<input type="checkbox"/> MM	<input type="checkbox"/>	
					SIZE	<input type="checkbox"/> 3/4"	<input type="checkbox"/> 1"	<input type="checkbox"/> M25	<input type="checkbox"/>	
OPTION				EXTERNAL REFLECTOR	HUB SCHEDULE	LOCATION				
						<input type="checkbox"/> INCLUDED	<input checked="" type="checkbox"/> EXCLUDED	 		
						<input type="checkbox"/> DOME TYPE	<input type="checkbox"/> 30° ANGLE			
				MATERIAL	F. R. POLYESTER					
								<input type="checkbox"/> W/2-BLIND PLUGS <input type="checkbox"/> NONE		

NOTE

1.

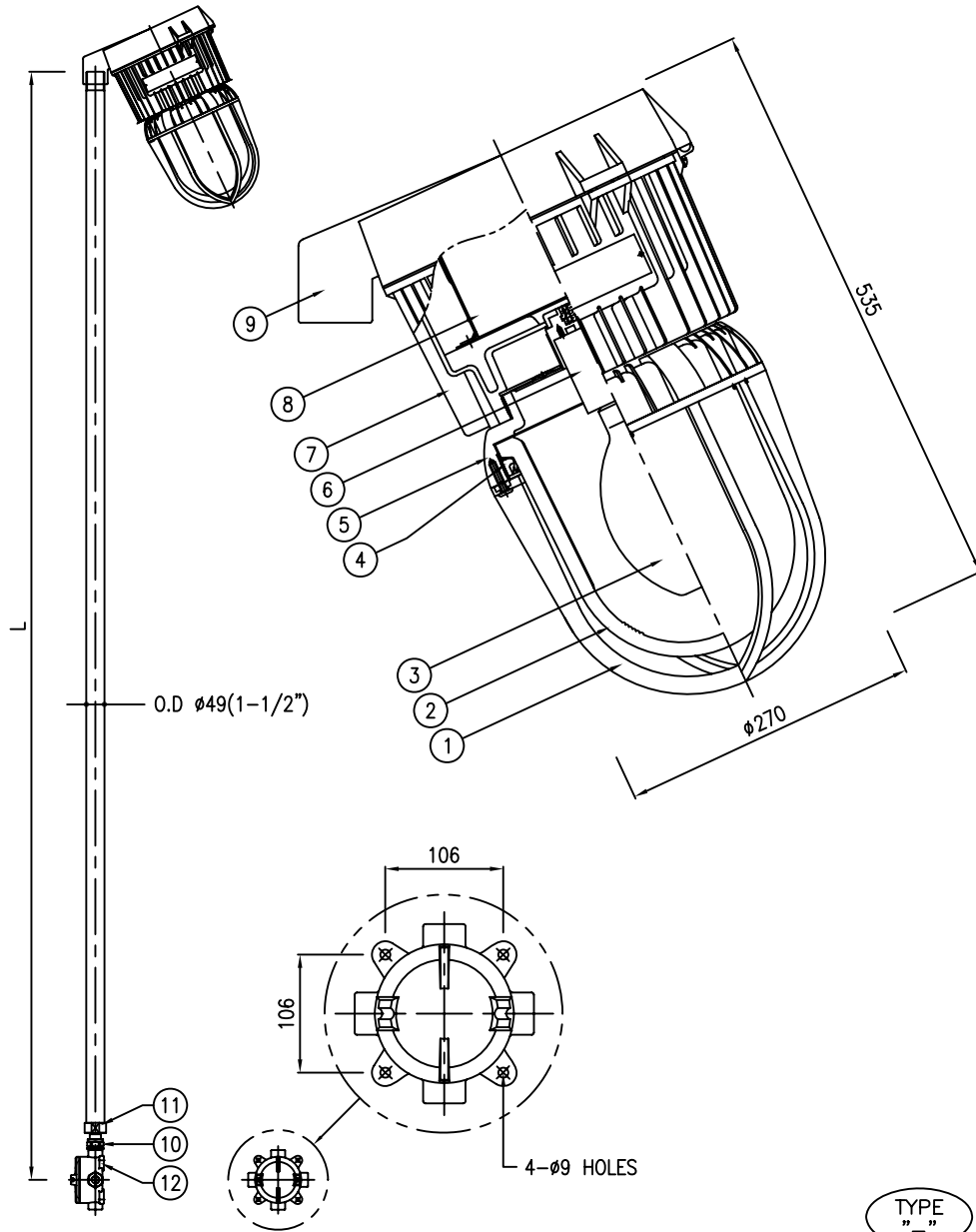
NO	PARTS	MATERIAL	REMARK
9	COVER	CAST ALUMINIUM ALLOY	
8	BALLAST	FOR H.I.D LAMP	HIGH POWER FACTOR
7	BODY	DIE CASTING ALUMINIUM	
6	LAMP HOLDER	PORCELAIN W/MOGUL SOCKET	E39
5	GUARD RING	DIE CASTING ALUMINIUM	
4	LOCK RING	DIE CASTING ALUMINIUM	
3	LAMP	H.I.D LAMP	SEE SELECTION TABLE
2	GLOBE	HEAT RESISTANT HARD GLASS	
1	GUARD	DIE CASTING ALUMINIUM	

SCALE	N.S	APPROVED BY	
UNIT	mm	CHECKED BY	
DATE		DRAWN BY	

NB 南北電氣株式會社
NAMBUK ELECTRIC CO.,LTD

TITLE	H.I.D LTG. FIXTURE (90° BRACKET MTG. TYPE)		APPLICATION AREA	
CAT NO.	EVS-L SERIES		CLASS OF PROTECTION	
COLOR FINISHING	MUNSELL NO. 7.5BG 6/1.5		Ex de IIC T3 IP66	
			DRAWING NO.	N B - E L H - D 1 - A 0 1

* LENGTH(L) ORDER MADE.



TYPE
" "

REV.NO.	DATE	DESCRIPTION	REV'D BY	CHE'D BY	APP'D BY
△					
△					
△					

SELECTION TABLE

ITEM NO.	LAMP	LAMP SIZE	Q'TY	SUPPLY VOLTAGE	FREQUENCY				
					<input type="checkbox"/> AC110V	<input type="checkbox"/> AC230V	<input type="checkbox"/> AC240V	<input type="checkbox"/> 50Hz	
	<input type="checkbox"/> MERCURY VAPOR	<input type="checkbox"/> 150W	- SET	<input type="checkbox"/> AC208V	<input type="checkbox"/> AC277V	<input type="checkbox"/> AC220V	<input type="checkbox"/> 60Hz		
	<input type="checkbox"/> H. P. SODIUM	<input type="checkbox"/> 175W	- SET						
	<input type="checkbox"/> METAL HALIDE	<input type="checkbox"/> 200W	- SET						
		<input type="checkbox"/> 250W	- SET						
OPTION	EXTERNAL REFLECTOR	<input type="checkbox"/> INCLUDED <input checked="" type="checkbox"/> EXCLUDED		HUB SCHEDULE	LOCATION				
		<input type="checkbox"/> DOME TYPE	<input type="checkbox"/> 30° ANGLE		THREAD	<input type="checkbox"/> NPT	<input type="checkbox"/> PF	<input type="checkbox"/> MM	<input type="checkbox"/>
		<input type="checkbox"/> W/2-BLIND PLUGS	<input type="checkbox"/> NONE		SIZE	<input type="checkbox"/> 3/4"	<input type="checkbox"/> 1"	<input type="checkbox"/> M25	<input type="checkbox"/>

NOTE

1.

NO	PARTS	MATERIAL	REMARK
12	MOUNTING BOX	CAST ALUMINIUM ALLOY	
11	SOCKET	CARBON STEEL	
10	UNION COUPLING	CARBON STEEL	
9	STANCHION HOOD	CAST ALUMINIUM ALLOY	
8	BALLAST	FOR H.I.D LAMP	HIGH POWER FACTOR
7	BODY	DIE CASTING ALUMINIUM	
6	LAMP HOLDER	PORCELAIN W/MOGUL SOCKET	E39
5	GUARD RING	DIE CASTING ALUMINIUM	
4	LOCK RING	DIE CASTING ALUMINIUM	
3	LAMP	H.I.D LAMP	SEE SELECTION TABLE
2	GLOBE	HEAT RESISTANT HARD GLASS	
1	GUARD	DIE CASTING ALUMINIUM	

SCALE	N.S	APPROVED BY	
UNIT	mm	CHECKED BY	
DATE		DRAWN BY	

NB 南北電氣株式會社
NAMBUK ELECTRIC CO.,LTD

TITLE	H.I.D LTG. FIXTURE (STANCHION MTG. TYPE)		APPLICATION AREA	
CAT NO.	EVS-L SERIES		CLASS OF PROTECTION	Ex de IIC T3 IP66
COLOR FINISHING	LTG. FIXTURE : MUNSELL NO. 7.5BG 6/1.5 POLE : HOT DIP GALVANIZED		DRAWING NO.	N B - E L H - D 1 - A 0 1