

TYPE
"_"

REV.NO.	DATE	DESCRIPTION	REV'D BY	CHE'D BY	APP'D BY
△					
△					
△					

SELECTION TABLE

ITEM NO.	LAMP	LAMP SIZE	Q'TY	SUPPLY VOLTAGE	FREQUENCY			
					<input type="checkbox"/> 50Hz	<input type="checkbox"/> 60Hz		
	<input type="checkbox"/> MERCURY VAPOR	<input type="checkbox"/> 250W <input type="checkbox"/> 400W	- SET - SET	<input type="checkbox"/> AC110V <input type="checkbox"/> AC120V <input type="checkbox"/> AC208V <input type="checkbox"/> AC220V	<input type="checkbox"/> AC230V <input type="checkbox"/> AC240V <input type="checkbox"/> AC277V <input type="checkbox"/>			
	<input type="checkbox"/> H. P. SODIUM				THREAD <input type="checkbox"/> NPT <input type="checkbox"/> PF <input type="checkbox"/> MM <input type="checkbox"/>			
	<input type="checkbox"/> METAL HALIDE				SIZE <input type="checkbox"/> 3/4" <input type="checkbox"/> 1" <input type="checkbox"/> M25 <input type="checkbox"/>			
OPTION	EXTERNAL REFLECTOR	<input type="checkbox"/> INCLUDED <input checked="" type="checkbox"/> EXCLUDED		HUB SCHEDULE	LOCATION			
		<input type="checkbox"/> DOME TYPE	<input type="checkbox"/> 30° ANGLE			<input type="checkbox"/> 1-2 <input type="checkbox"/> 1-3 <input type="checkbox"/> 1-2-3 <input type="checkbox"/> 1-2-3-4		
	MATERIAL	F. R. POLYESTER				<input type="checkbox"/> W/2-BLIND PLUGS <input type="checkbox"/> NONE		

NOTE

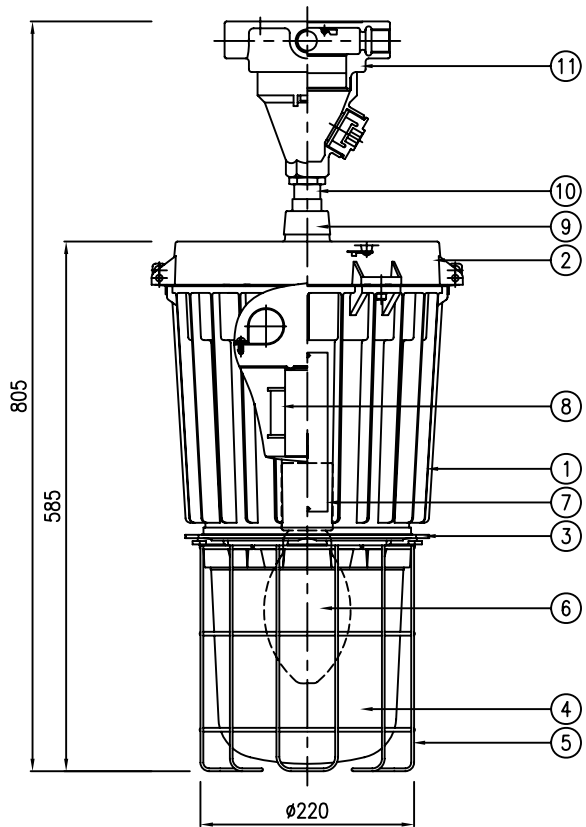
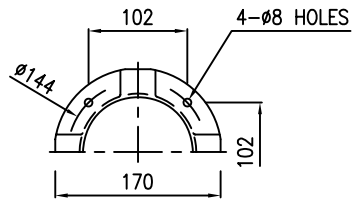
1.

NO	PARTS	MATERIAL	REMARK
8	BALLAST	FOR H.I.D LAMP	HIGH POWER FACTOR
7	LAMP HOLDER	PORCELAIN W/MOGUL SOCKET	E39
6	LAMP	H.I.D LAMP	SEE SELECTION TABLE
5	GUARD	STAINLESS STEEL WIRE	SUS304
4	GLOBE	HEAT RESISTANT HARD GLASS	
3	GLOBE RING	DIE CASTING ALUMINIUM	
2	COVER	CAST ALUMINIUM ALLOY	
1	BODY	DIE CASTING ALUMINIUM	

SCALE	N.S	APPROVED BY	
UNIT	mm	CHECKED BY	
DATE		DRAWN BY	

NB 南北電氣株式會社
NAMBUK ELECTRIC CO.,LTD

TITLE	H.I.D LTG. FIXTURE (CEILING MTG. TYPE)			APPLICATION AREA	
CAT NO.	VZ-L SERIES			CLASS OF PROTECTION	Ex nR II T2 IP66
COLOR FINISHING	MUNSELL NO. 7.5BG 6/1.5			DRAWING NO.	N B - V L H - D 1 - A 0 1



TYPE
"_"

REV.NO.	DATE	DESCRIPTION	REV'D BY	CHE'D BY	APP'D BY
△					
△					
△					

SELECTION TABLE

ITEM NO.	LAMP	LAMP SIZE	Q'TY	SUPPLY VOLTAGE	FREQUENCY			
					<input type="checkbox"/> AC110V	<input type="checkbox"/> AC230V	<input type="checkbox"/> AC240V	<input type="checkbox"/> 50Hz
	<input type="checkbox"/> MERCURY VAPOR	<input type="checkbox"/> 250W	- SET	<input type="checkbox"/> AC208V	<input type="checkbox"/> AC277V	<input type="checkbox"/> AC220V	<input type="checkbox"/> 60Hz	
	<input type="checkbox"/> H. P. SODIUM	<input type="checkbox"/> 400W	- SET					
	<input type="checkbox"/> METAL HALIDE							
OPTION		EXTERNAL REFLECTOR		HUB SCHEDULE		LOCATION		
		<input type="checkbox"/> INCLUDED	<input checked="" type="checkbox"/> EXCLUDED					
		<input type="checkbox"/> DOME TYPE	<input type="checkbox"/> 30° ANGLE					
		MATERIAL	F. R. POLYESTER					
				THREAD	<input type="checkbox"/> NPT	<input type="checkbox"/> PF	<input type="checkbox"/> MM	<input type="checkbox"/>
				SIZE	<input type="checkbox"/> 3/4"	<input type="checkbox"/> 1"	<input type="checkbox"/> M25	<input type="checkbox"/>
								<input type="checkbox"/> 1-2 <input type="checkbox"/> 1-3 <input type="checkbox"/> 1-2-3 <input type="checkbox"/> 1-2-3-4
								<input type="checkbox"/> W/2-BLIND PLUGS <input type="checkbox"/> NONE

NOTE

1.

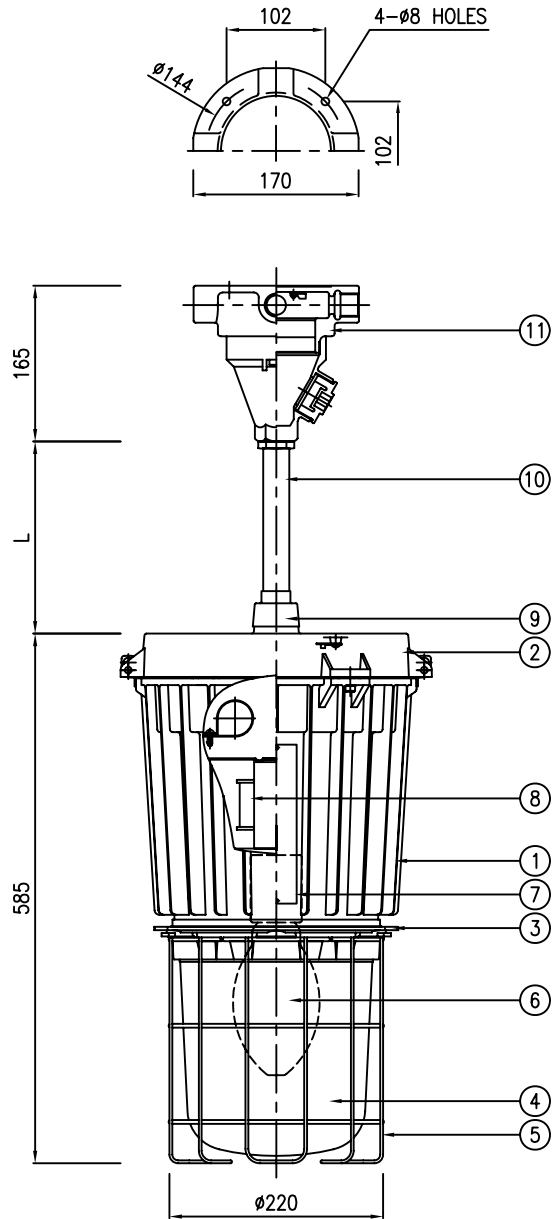
NO	PARTS	MATERIAL	REMARK
11	MOUNTING BOX	CAST ALUMINIUM ALLOY	
10	NIPPLE	STEEL	
9	WEATHERPROOF CAP	SILICONE RUBBER	
8	BALLAST	FOR H.I.D LAMP	HIGH POWER FACTOR
7	LAMP HOLDER	PORCELAIN W/MOGUL SOCKET	E39
6	LAMP	H.I.D LAMP	SEE SELECTION TABLE
5	GUARD	STAINLESS STEEL WIRE	SUS304
4	GLOBE	HEAT RESISTANT HARD GLASS	
3	GLOBE RING	DIE CASTING ALUMINIUM	
2	COVER	CAST ALUMINIUM ALLOY	
1	BODY	DIE CASTING ALUMINIUM	

SCALE	N.S	APPROVED BY	
UNIT	mm	CHECKED BY	
DATE		DRAWN BY	

南北電氣株式會社
NAMBUK ELECTRIC CO.,LTD

TITLE	H.I.D LTG. FIXTURE (CEILING MTG. TYPE)			APPLICATION AREA	
CAT NO.	VZ-L SERIES		CLASS OF PROTECTION	Ex nR II T2 IP66	
COLOR FINISHING	MUNSELL NO. 7.5BG 6/1.5		DRAWING NO.	N B - V L H - D 1 - A 0 1	

* LENGTH(L) ORDER MADE.



REV.NO.	DATE	DESCRIPTION	REV'D BY	CHE'D BY	APP'D BY
△					
△					
△					

SELECTION TABLE

ITEM NO.	LAMP	LAMP SIZE	Q'TY	SUPPLY VOLTAGE	FREQUENCY				
					<input type="checkbox"/> 50Hz	<input type="checkbox"/> 60Hz			
	<input type="checkbox"/> MERCURY VAPOR	<input type="checkbox"/> 250W <input type="checkbox"/> 400W	- SET - SET	<input type="checkbox"/> AC110V <input type="checkbox"/> AC120V <input type="checkbox"/> AC208V <input type="checkbox"/> AC220V	<input type="checkbox"/> AC230V <input type="checkbox"/> AC240V <input type="checkbox"/> AC277V <input type="checkbox"/>				
	<input type="checkbox"/> H. P. SODIUM				THREAD <input type="checkbox"/> NPT <input type="checkbox"/> PF <input type="checkbox"/> MM <input type="checkbox"/>				
	<input type="checkbox"/> METAL HALIDE				SIZE <input type="checkbox"/> 3/4" <input type="checkbox"/> 1" <input type="checkbox"/> M25 <input type="checkbox"/>				
OPTION	EXTERNAL REFLECTOR	REFLECTOR TYPE		HUB SCHEDULE	LOCATION	W/2-BLIND PLUGS			
		<input type="checkbox"/> INCLUDED <input checked="" type="checkbox"/> EXCLUDED				<input type="checkbox"/> DOME TYPE <input type="checkbox"/> 30° ANGLE		<input type="checkbox"/> NONE	
		MATERIAL	F. R. POLYESTER			 <input type="checkbox"/> 1-2 <input type="checkbox"/> 1-3 <input type="checkbox"/> 1-2-3 <input type="checkbox"/> 1-2-3-4			

NOTE

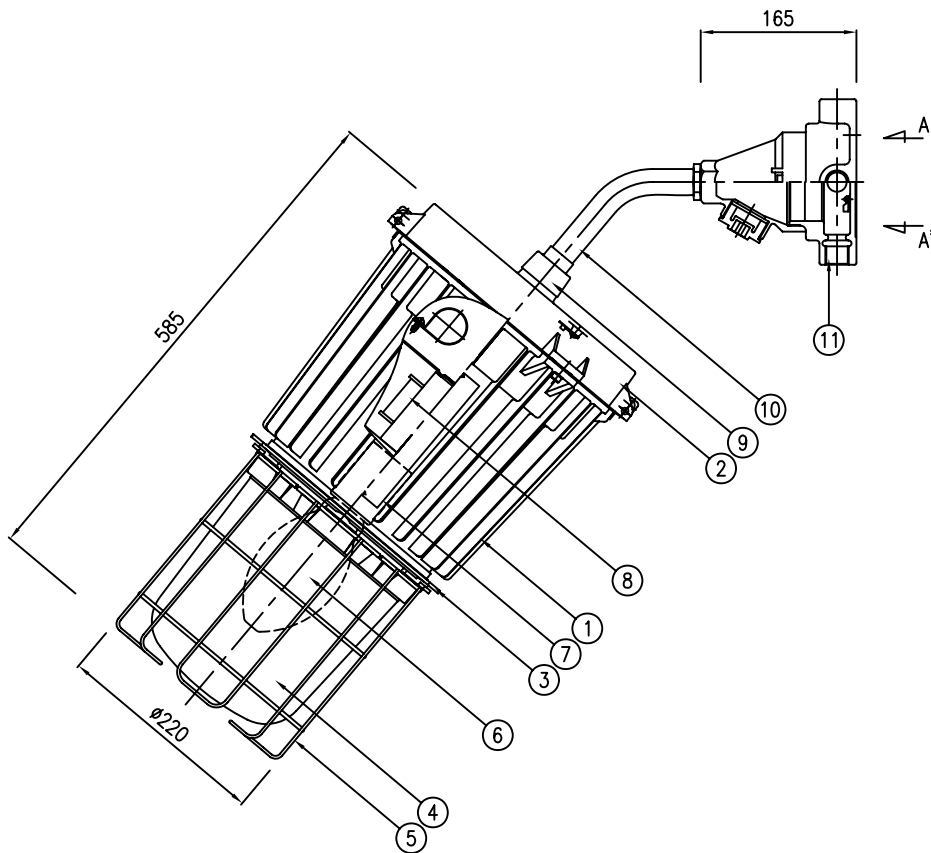
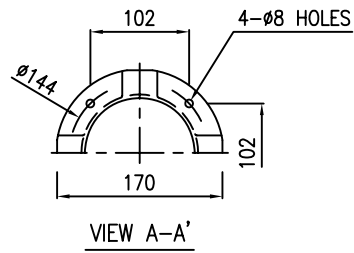
1.

NO	PARTS	MATERIAL	REMARK
11	MOUNTING BOX	CAST ALUMINIUM ALLOY	
10	SUSPENSION STEM	HEAVY GAUGE STEEL PIPE	
9	WEATHERPROOF CAP	SILICONE RUBBER	
8	BALLAST	FOR H.I.D LAMP	HIGH POWER FACTOR
7	LAMP HOLDER	PORCELAIN W/MOGUL SOCKET	E39
6	LAMP	H.I.D LAMP	SEE SELECTION TABLE
5	GUARD	STAINLESS STEEL WIRE	SUS304
4	GLOBE	HEAT RESISTANT HARD GLASS	
3	GLOBE RING	DIE CASTING ALUMINIUM	
2	COVER	CAST ALUMINIUM ALLOY	
1	BODY	DIE CASTING ALUMINIUM	

SCALE	N.S	APPROVED BY	
UNIT	mm	CHECKED BY	
DATE		DRAWN BY	

南北電氣株式會社
NAMBUK ELECTRIC CO.,LTD

TITLE	H.I.D LTG. FIXTURE (PENDANT MTG. TYPE)			APPLICATION AREA	
CAT NO.	VZ-L SERIES			CLASS OF PROTECTION	Ex nR II T2 IP66
COLOR FINISHING	MUNSELL NO. 7.5BG 6/1.5			DRAWING NO.	N B - V L H - D 1 - A 0 1



TYPE
"_"

REV.NO.	DATE	DESCRIPTION	REV'D BY	CHE'D BY	APP'D BY
△					
△					
△					

SELECTION TABLE

ITEM NO.	LAMP	LAMP SIZE	Q'TY	SUPPLY VOLTAGE	FREQUENCY			
					<input type="checkbox"/> 50Hz	<input type="checkbox"/> 60Hz		
	<input type="checkbox"/> MERCURY VAPOR	<input type="checkbox"/> 250W <input type="checkbox"/> 400W	- SET - SET	<input type="checkbox"/> AC110V <input type="checkbox"/> AC120V <input type="checkbox"/> AC208V <input type="checkbox"/> AC220V	<input type="checkbox"/> AC230V <input type="checkbox"/> AC240V <input type="checkbox"/> AC277V <input type="checkbox"/>			
	<input type="checkbox"/> H. P. SODIUM				THREAD <input type="checkbox"/> NPT <input type="checkbox"/> PF <input type="checkbox"/> MM <input type="checkbox"/>			
	<input type="checkbox"/> METAL HALIDE				SIZE <input type="checkbox"/> 3/4" <input type="checkbox"/> 1" <input type="checkbox"/> M25 <input type="checkbox"/>			
OPTION	EXTERNAL REFLECTOR	<input type="checkbox"/> INCLUDED <input checked="" type="checkbox"/> EXCLUDED		HUB SCHEDULE	LOCATION			
		<input type="checkbox"/> DOME TYPE	<input type="checkbox"/> 30° ANGLE			<input type="checkbox"/> 1-2 <input type="checkbox"/> 1-3 <input type="checkbox"/> 1-2-3 <input type="checkbox"/> 1-2-3-4		
	MATERIAL	F. R. POLYESTER				<input type="checkbox"/> W/2-BLIND PLUGS <input type="checkbox"/> NONE		

NOTE

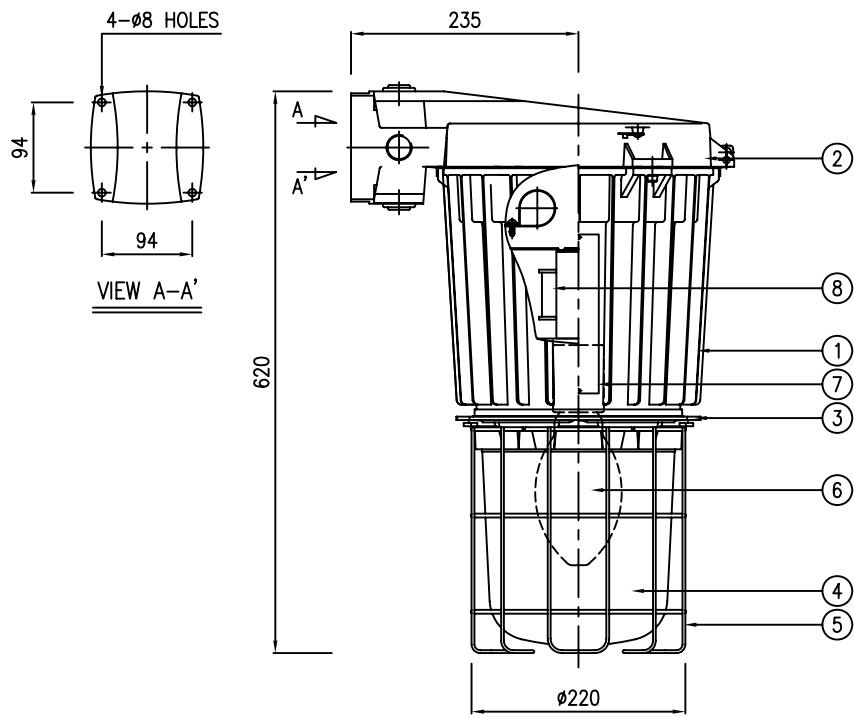
1.

NO	PARTS	MATERIAL	REMARK
11	MOUNTING BOX	CAST ALUMINIUM ALLOY	
10	SUSPENSION STEM	HEAVY GAUGE STEEL PIPE	
9	WEATHERPROOF CAP	SILICONE RUBBER	
8	BALLAST	FOR H.I.D LAMP	HIGH POWER FACTOR
7	LAMP HOLDER	PORCELAIN W/MOGUL SOCKET	E39
6	LAMP	H.I.D LAMP	SEE SELECTION TABLE
5	GUARD	STAINLESS STEEL WIRE	SUS304
4	GLOBE	HEAT RESISTANT HARD GLASS	
3	GLOBE RING	DIE CASTING ALUMINIUM	
2	COVER	CAST ALUMINIUM ALLOY	
1	BODY	DIE CASTING ALUMINIUM	

SCALE	N.S	APPROVED BY	
UNIT	mm	CHECKED BY	
DATE		DRAWN BY	

NB 南北電氣株式會社
NAMBUK ELECTRIC CO.,LTD

TITLE	H.I.D LTG. FIXTURE (40° BRACKET MTG. TYPE)		APPLICATION AREA	
CAT NO.	VZ-L SERIES		CLASS OF PROTECTION	Ex nR II T2 IP66
COLOR FINISHING	MUNSELL NO. 7.5BG 6/1.5		DRAWING NO.	N B - V L H - D 1 - A 0 1



TYPE
"_"

REV.NO.	DATE	DESCRIPTION	REV'D BY	CHE'D BY	APP'D BY
△					
△					
△					

SELECTION TABLE

ITEM NO.	LAMP	LAMP SIZE	Q'TY	SUPPLY VOLTAGE	FREQUENCY				
					<input type="checkbox"/> 50Hz	<input type="checkbox"/> 60Hz			
	<input type="checkbox"/> MERCURY VAPOR	<input type="checkbox"/> 250W <input type="checkbox"/> 400W	- SET - SET	<input type="checkbox"/> AC110V <input type="checkbox"/> AC120V <input type="checkbox"/> AC208V <input type="checkbox"/> AC220V	<input type="checkbox"/> AC230V <input type="checkbox"/> AC240V <input type="checkbox"/> AC277V <input type="checkbox"/>				
	<input type="checkbox"/> H. P. SODIUM								
	<input type="checkbox"/> METAL HALIDE								
					THREAD	<input type="checkbox"/> NPT	<input type="checkbox"/> PF	<input type="checkbox"/> MM	<input type="checkbox"/>
					SIZE	<input type="checkbox"/> 3/4"	<input type="checkbox"/> 1"	<input type="checkbox"/> M25	<input type="checkbox"/>
					HUB SCHEDULE	LOCATION			
						<input type="checkbox"/> 1-2 <input type="checkbox"/> 1-3 <input type="checkbox"/> 1-2-3 <input type="checkbox"/> 1-2-3-4			
						<input type="checkbox"/> W/2-BLIND PLUGS			<input type="checkbox"/> NONE

NOTE

1.

NO	PARTS	MATERIAL	REMARK
8	BALLAST	FOR H.I.D LAMP	HIGH POWER FACTOR
7	LAMP HOLDER	PORCELAIN W/MOGUL SOCKET	E39
6	LAMP	H.I.D LAMP	SEE SELECTION TABLE
5	GUARD	STAINLESS STEEL WIRE	SUS304
4	GLOBE	HEAT RESISTANT HARD GLASS	
3	GLOBE RING	DIE CASTING ALUMINIUM	
2	COVER	CAST ALUMINIUM ALLOY	
1	BODY	DIE CASTING ALUMINIUM	

SCALE	N.S	APPROVED BY	
UNIT	mm	CHECKED BY	
DATE		DRAWN BY	

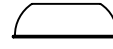
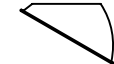
NB 南北電氣株式會社
NAMBUK ELECTRIC CO.,LTD

TITLE	H.I.D LTG. FIXTURE (BRACKET MTG. TYPE)			APPLICATION AREA	
CAT NO.	VZ-L SERIES		CLASS OF PROTECTION	Ex nR II T2 IP66	
COLOR FINISHING	MUNSELL NO. 7.5BG 6/1.5		DRAWING NO.	N B - V L H - D 1 - A 0 1	

* LENGTH(L) ORDER MADE.

REV.NO.	DATE	DESCRIPTION	REV'D BY	CHE'D BY	APP'D BY
△					
△					
△					

SELECTION TABLE

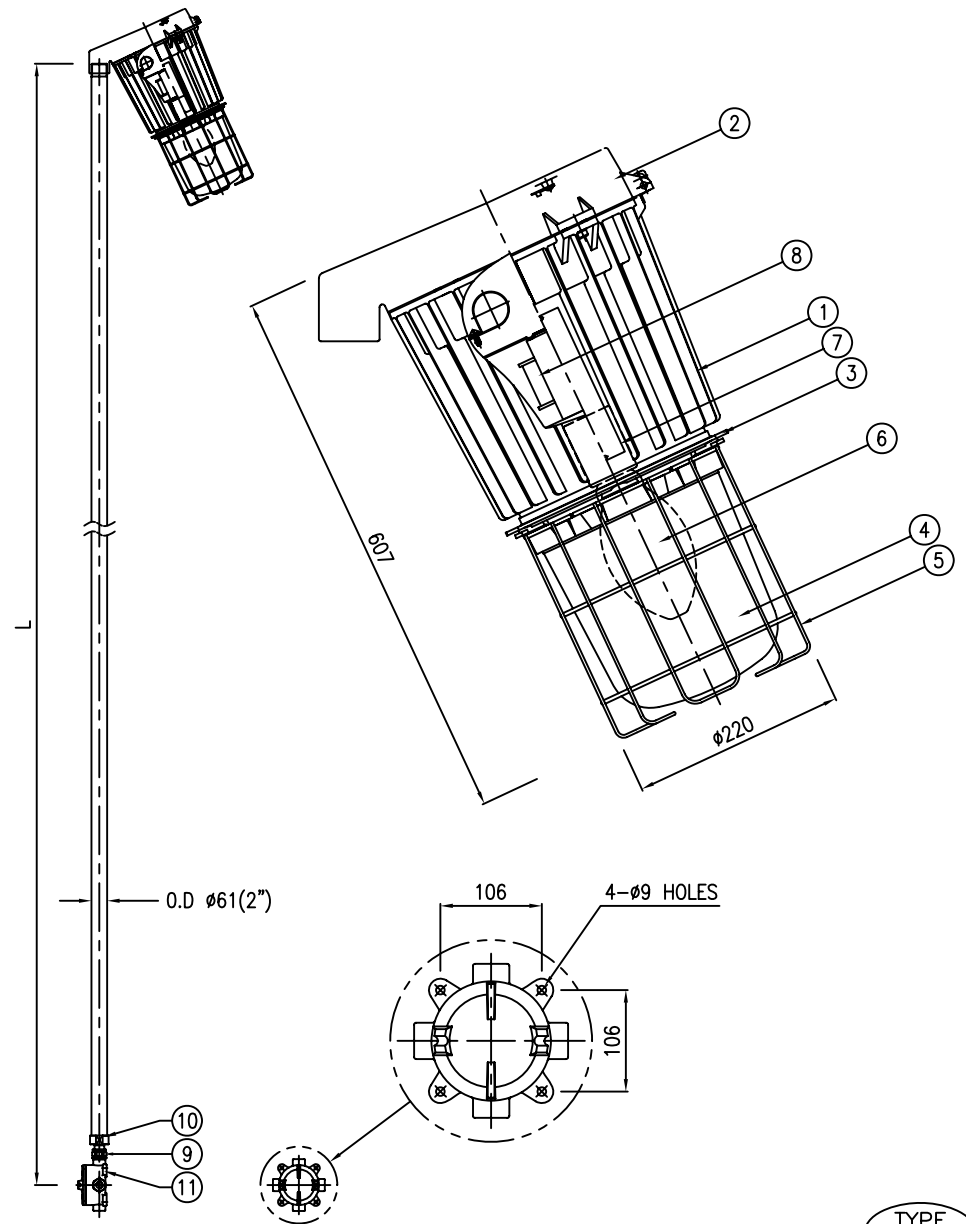
ITEM NO.	LAMP	LAMP SIZE	Q'TY	SUPPLY VOLTAGE	FREQUENCY				
					<input type="checkbox"/> AC110V	<input type="checkbox"/> AC230V	<input type="checkbox"/> 50Hz	<input type="checkbox"/> 60Hz	
<input type="checkbox"/> MERCURY VAPOR	<input type="checkbox"/> 250W	- SET		<input type="checkbox"/> AC120V	<input type="checkbox"/> AC240V				
<input type="checkbox"/> H. P. SODIUM	<input type="checkbox"/> 400W	- SET		<input type="checkbox"/> AC208V	<input type="checkbox"/> AC277V				
<input type="checkbox"/> METAL HALIDE				<input type="checkbox"/> AC220V	<input type="checkbox"/>				
OPTION	EXTERNAL REFLECTOR	<input type="checkbox"/> INCLUDED <input checked="" type="checkbox"/> EXCLUDED		HUB SCHEDULE	THREAD	<input type="checkbox"/> NPT	<input type="checkbox"/> PF	<input type="checkbox"/> MM	<input type="checkbox"/>
		<input type="checkbox"/> DOME TYPE	<input type="checkbox"/> 30° ANGLE		SIZE	<input type="checkbox"/> 3/4"	<input type="checkbox"/> 1"	<input type="checkbox"/> M25	<input type="checkbox"/>
				LOCATION	POLE <input type="checkbox"/> P-1 <input type="checkbox"/> P-2 <input type="checkbox"/> P-1-2 <input type="checkbox"/> P-1-2-3				
		<input type="checkbox"/> MATERIAL	F. R. POLYESTER		<input type="checkbox"/> W/2-BLIND PLUGS <input type="checkbox"/> NONE				

NOTE

1.

NO	PARTS	MATERIAL	REMARK
11	MOUNTING BOX	CAST ALUMINIUM ALLOY	
10	SOCKET	CARBON STEEL	
9	UNION COUPLING	CARBON STEEL	
8	BALLAST	FOR H.I.D LAMP	HIGH POWER FACTOR
7	LAMP HOLDER	PORCELAIN W/MOGUL SOCKET	E39
6	LAMP	H.I.D LAMP	SEE SELECTION TABLE
5	GUARD	STAINLESS STEEL WIRE	SUS304
4	GLOBE	HEAT RESISTANT HARD GLASS	
3	GLOBE RING	DIE CASTING ALUMINIUM	
2	STANCHION HOOD	CAST ALUMINIUM ALLOY	
1	BODY	DIE CASTING ALUMINIUM	

TITLE	CLASS OF PROTECTION	APPLICATION AREA
H.I.D LTG. FIXTURE (STANCHION MTG. TYPE)	Ex nR II T2 IP66	
CAT NO. VZ-L SERIES	DRAWING NO.	N B - V L H - D 1 - A 0 1
COLOR FINISHING	LTG. FIXTURE : MUNSELL NO. 7.5BG 6/1.5 POLE : HOT DIP GALVANIZED	

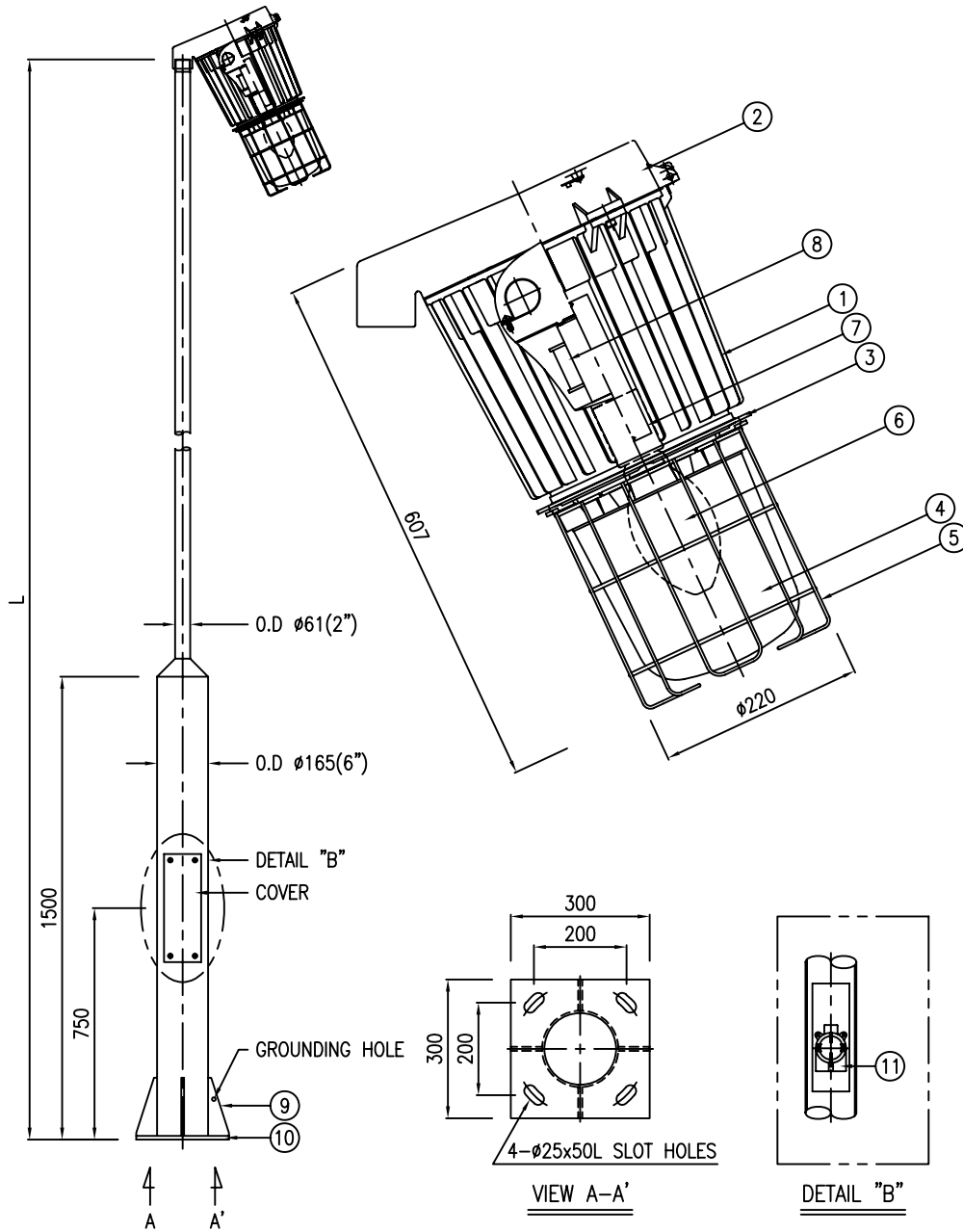


TYPE
"_"

SCALE	N.S	APPROVED BY	
UNIT	mm	CHECKED BY	
DATE		DRAWN BY	

NB 南北電氣株式會社
NAMBUK ELECTRIC CO.,LTD

* LENGTH(L) ORDER MADE.



REV.NO.	DATE	DESCRIPTION	REV'D BY	CHE'D BY	APP'D BY
△					
△					
△					

SELECTION TABLE

ITEM NO.	LAMP	LAMP SIZE	Q'TY	SUPPLY VOLTAGE	FREQUENCY	
					<input type="checkbox"/> 50Hz	<input type="checkbox"/> 60Hz
	<input type="checkbox"/> MERCURY VAPOR	<input type="checkbox"/> 250W <input type="checkbox"/> 400W	- SET - SET	<input type="checkbox"/> AC110V <input type="checkbox"/> AC120V <input type="checkbox"/> AC208V <input type="checkbox"/> AC220V	<input type="checkbox"/> AC230V <input type="checkbox"/> AC240V <input type="checkbox"/> AC277V <input type="checkbox"/>	
	<input type="checkbox"/> H. P. SODIUM					
	<input type="checkbox"/> METAL HALIDE					
				THREAD	<input type="checkbox"/> NPT <input type="checkbox"/> PF <input type="checkbox"/> MM <input type="checkbox"/>	
				SIZE	<input type="checkbox"/> 3/4" <input type="checkbox"/> 1" <input type="checkbox"/> M25 <input type="checkbox"/>	
				HUB SCHEDULE		
				LOCATION	LIGHTING <input type="checkbox"/> L-1 <input type="checkbox"/> L-2 <input type="checkbox"/> L-1-2 	
					<input type="checkbox"/> W/2-BLIND PLUGS	<input type="checkbox"/> NONE

NOTE

1.

TYPE
"_"

NO	PARTS	MATERIAL	REMARK
11	JUNCTION BOX	CAST ALUMINIUM ALLOY	
10	BASE PLATE	STEEL PLATE	12.0t
9	SUPPORT	STEEL PLATE	9.0t
8	BALLAST	FOR H.I.D LAMP	HIGH POWER FACTOR
7	LAMP HOLDER	PORCELAIN W/MOGUL SOCKET	E39
6	LAMP	H.I.D LAMP	SEE SELECTION TABLE
5	GUARD	STAINLESS STEEL WIRE	SUS304
4	GLOBE	HEAT RESISTANT HARD GLASS	
3	GLOBE RING	DIE CASTING ALUMINIUM	
2	STANCHION HOOD	CAST ALUMINIUM ALLOY	
1	BODY	DIE CASTING ALUMINIUM	

SCALE	N.S	APPROVED BY	
UNIT	mm	CHECKED BY	
DATE		DRAWN BY	

NB 南北電氣株式會社
NAMBUK ELECTRIC CO.,LTD

TITLE	H.I.D LTG. FIXTURE (PEDESTAL TYPE)		APPLICATION AREA	
CAT NO.	VZ-L SERIES		CLASS OF PROTECTION	Ex nR II T2 IP66
COLOR FINISHING	LTG. FIXTURE : MUNSELL NO. 7.5BG 6/1.5 POLE : HOT DIP GALVANIZED		DRAWING NO.	N B - V L H - D 1 - A 0 1